

Stop Valves



Features

- Used as a stop valve for a hydraulic circuit only to open/close the circuit. The highly user-friendly handle enables smooth opening/closing.

Nomenclature

HDCV - ※ ※ ※

1

2

3

1 Model No.

(Applicable fluids: petroleum-based hydraulic oil)

HDCV: Stop valve

2 Connections

T: Screw connection type

F: Flange connection type

3 Nominal diameter

03: 3/8

06: 3/4

10: 1 1/4

12: 1 1/2

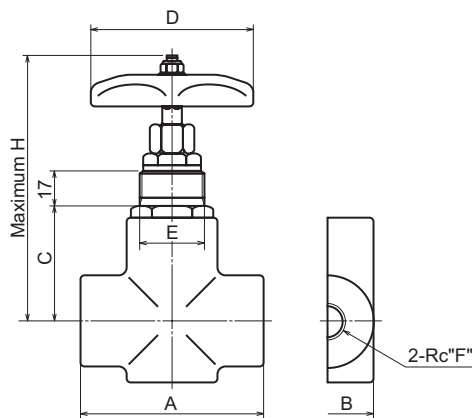
16: 2

Specifications

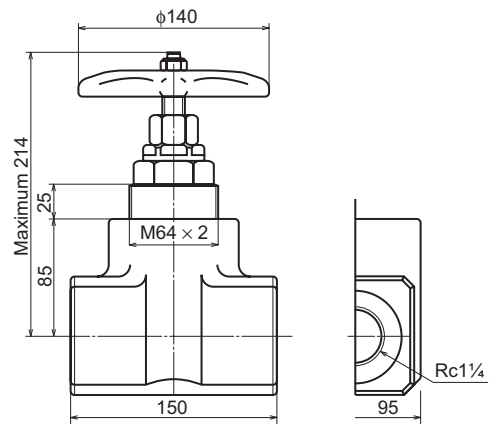
| Model code | | Nominal diameter | Maximum operating pressure MPa {kgf/cm ² } | Maximum flow rate L/min | Mass kg | |
|------------------------------|-------------------------------|------------------|--|----------------------------|------------------------------|-------------------------------|
| Screw connection type (T) | Flange connection type (F) | | | | Screw connection type (T) | Flange connection type (F) |
| HDCV-T03 | - | 3/8 | 21 {210} | 25 | 1.9 | - |
| HDCV-T06 | HDCV-F06 | 3/4 | | 90 | 4.2 | 5.4 |
| HDCV-T10 | HDCV-F10 | 1 1/4 | | 280 | 10.4 | 12.5 |
| - | HDCV-F12 | 1 1/2 | | 380 | - | 20.0 |
| - | HDCV-F16 | 2 | | 440 | - | 27.2 |

External dimension diagram

HDCV-T03, 06 (Screw connection type)



HDCV-T10 (Screw connection type)



| Model code | Dimensions | | | | | | |
|------------|------------|----|----|-----|-----------|-----|-----|
| | A | B | C | D | E | F | H |
| HDCV-T03 | 90 | 45 | 57 | 80 | M32 × 1.5 | 3/8 | 136 |
| HDCV-T06 | 110 | 65 | 80 | 120 | M40 × 1.5 | 3/4 | 181 |

Contact Details

Before using the product, please check the guide pages at the front of this catalog.

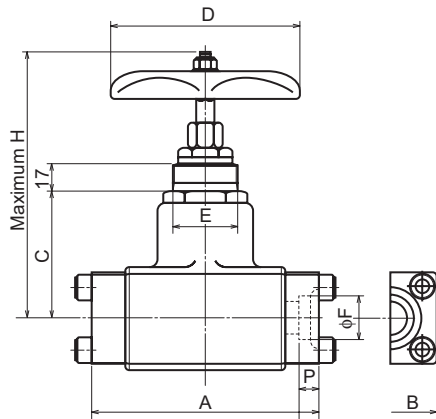
Internet

<https://www.daikinpmc.com/en/>

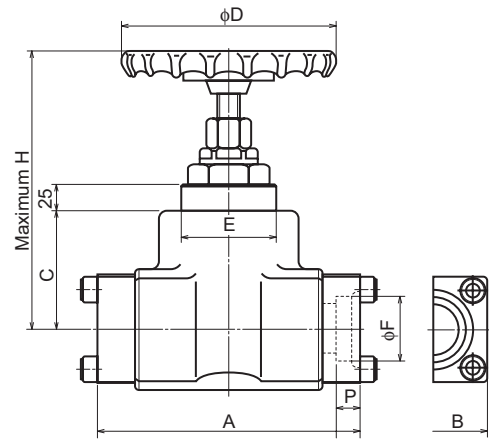
For latest information, PDF catalogs and operation manuals

External dimension diagram

HDCV-F06 (Flange connection type)



HDCV-F10, 12, 16 (Flange connection type)



| Model code | Dimensions | | | | | | | |
|------------|------------|-----|-----|-----|-----------|------|-----|----|
| | A | B | C | D | E | F | H | P |
| HDCV-F06 | 142 | 58 | 80 | 120 | M40 × 1.5 | 27.7 | 181 | 12 |
| HDCV-F10 | 204 | 76 | 85 | 140 | M64 × 2 | 43.2 | 214 | 16 |
| HDCV-F12 | 230 | 92 | 95 | 160 | M76 × 2 | 49.1 | 229 | 18 |
| HDCV-F16 | 245 | 100 | 110 | 200 | M90 × 2 | 61.1 | 277 | 20 |